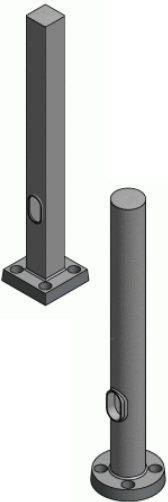


## Quick-Ship Options (2010 FBC / ASCE 7)



### Steel

Catalog Number	Mtg. Ht. (ft.)	Square Size (in.)	*Effective Projected Area (sq. ft.)						
			120	130	140	150	160	170	180
RPSQ-15-4-11	15	4	14.8	12.1	9.9	8.2	6.7	5.5	4.5
RPSQ-20-4-11	20	4	9.0	6.9	5.3	4.0	2.9	2.0	1.3
RPSQ-25-4-11	25	4	5.3	3.8	2.6	1.6	0.8	-----	-----
RPSQ-25-5-11	25	5	9.8	7.4	5.4	3.9	2.6	1.6	0.7
RPSQ-30-5-11	30	5	6.2	4.3	2.7	1.5	-----	-----	-----
RPSQ-30-5-7	30	5	13.6	10.6	8.3	6.4	4.8	3.6	2.5



### Aluminum

#### Square Straight Aluminum

Catalog Number	Mtg. Ht. (ft.)	Square Size (in.)	*Effective Projected Area (sq. ft.)						
			120	130	140	150	160	170	180
SSA-4163	16	4	14.3	11.8	9.7	8.1	6.7	5.6	4.6
SSA-4203	20	4	10.1	8.1	6.4	5.1	4	3.1	2.3
SSA-5203	20	5	17	13.7	11	8.9	7.1	5.7	4.5
SSA-5253-VD	25	5	10.9	8.4	6.5	4.9	3.6	2.5	1.6

#### Round Straight Aluminum

Catalog Number	Mtg. Ht. (ft.)	Diameter O.D. (in.)	*Effective Projected Area (sq. ft.)						
			120	130	140	150	160	170	180
RSA-5123	12	5	12.7	10.5	8.8	7.5	6.4	5.4	4.6
RSA-5163	16	5	13.4	11	9.1	7.7	6.4	5.4	4.6
RSA-5203	20	5	9.6	7.8	6.3	5.1	4.1	3.3	2.6

Orders that meet the following criteria ship in **2 weeks or less:**

- » **Steel and aluminum pole options listed in the table to the left without any modifications** (i.e., special bolt circle, pole height other than listed here (cutback), drill mount and tenon top on same pole, mid-pole brackets, duplex/GFI receptacle, extended warranties, etc.)
- » **Standard T2 tenon or drilled up to four fixtures** (see next page for top-mount and bracket options)
- » **Dark Bronze, Textured Black, Textured Medium Bronze, Textured Grey, and Textured White powder-coat finish only**
- » **Steel 19 poles or less**
- » **Aluminum 10 poles or less**

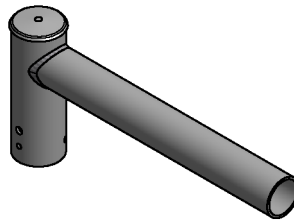
All poles that meet the criteria above are shipped out with a direct-drill or tenon-mount top (see next page).

## QUICK-SHIP DRILL, TENON, AND BRACKET OPTIONS

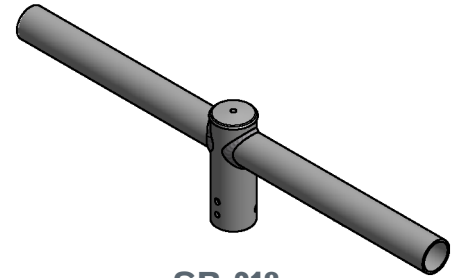
Below are the bracket options that may accompany the quick-ship pole orders with a quantity of 19 or less for steel and quantity of 10 or less for aluminum poles and ship in 2 weeks or less. Selection of other brackets or colors outside of the color key excludes an order from the Quick-Ship Program.

### COLOR OPTIONS FOR QUICK-SHIP PRODUCTS

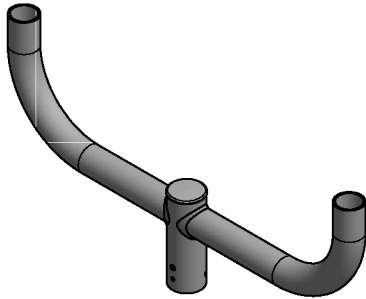
Design	Color
TWH	Textured White
DB	Dark Bronze
TMB	Textured Medium Bronze
TGR	Textured Gray
TBK	Textured Black



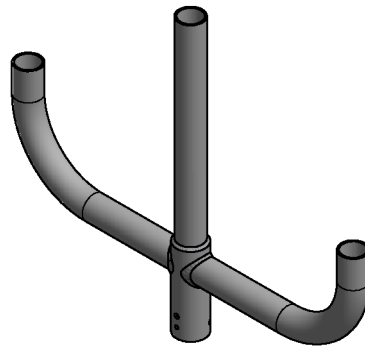
**SB-19**



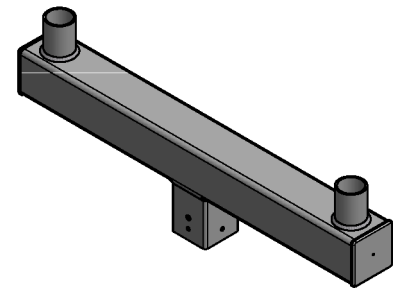
**SB-218**



**PTB-2**



**PTB-3**



**SMB-2**