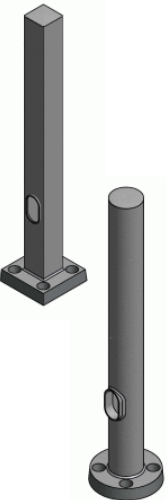


Quick-Ship Pole Options



Steel

Catalog Number	Mounting Height (Ft)	Square Size (in.)	Effective Projected Area Rating W/ 1.3 Gust (Sq. Ft.)			
			80	90	100	120
RPSQ-15-4-11	15	4	15.1	12.3	9.8	7.0
RPSQ-20-4-11	20	4	9.0	7.3	5.9	4.2
RPSQ-25-4-11	25	4	4.1	3.3	2.6	1.8
RPSQ-25-5-11	25	5	8.5	6.9	5.6	4.0
RPSQ-30-5-11	30	5	4.2	3.4	2.7	1.9
RPSQ-30-5-7	30	5	10.6	8.6	6.9	4.9



Aluminum

Square Straight Aluminum

Catalog Number	Mounting Height (Ft)	Square Size (in.)	Effective Projected Area Rating W/ 1.3 Gust (Sq. Ft.)			
			80	90	100	120
SSA-4163	16	4	8.9	6.8	5	2.1
SSA-4203	20	4	6.3	4.6	3.2	1
SSA-5203	20	5	10.8	8.1	5.8	1.5
SSA-5253-VD	25	5	7.3	5.1	3.3	1

Round Straight Aluminum

Catalog Number	Mounting Height (Ft)	Diameter O.D. (in.)	Effective Projected Area Rating W/ 1.3 Gust (Sq. Ft.)			
			80	90	100	120
RSA-5123	12	5	10.9	8.4	6.3	4.3
RSA-5163	16	5	11.6	8.8	6.5	4.2
RSA-5203	20	5	8.2	6	4.1	2.5

Orders that meet the following criteria ship in **2 weeks or less:**

- » **Steel and aluminum pole options listed in the table to the left without any modifications** (i.e., special bolt circle, pole height other than listed here (cutback), drill mount and tenon top on same pole, mid-pole brackets, duplex/GFI receptacle, extended warranties, etc.)
- » **Standard T2 tenon or drilled up to four fixtures** (see next page for top-mount and bracket options)
- » **Dark Bronze, Textured Black, Textured Medium Bronze, Textured Grey, and Textured White powder-coat finish only**
- » **Steel 19 poles or less**
- » **Aluminum 10 poles or less**

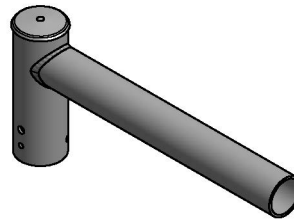
All poles that meet the criteria above are shipped out with a direct-drill or tenon-mount top (see next page).

QUICK-SHIP DRILL, TENON, AND BRACKET OPTIONS

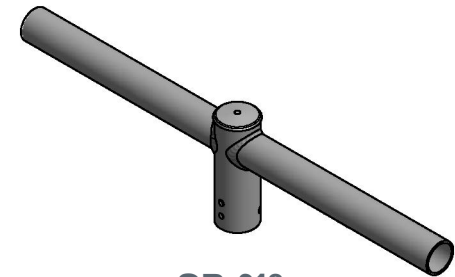
Below are the bracket options that may accompany the quick-ship pole orders with a quantity of 19 or less for steel and quantity of 10 or less for aluminum poles and ship in 2 weeks or less. Selection of other brackets or colors outside of the color key excludes an order from the Quick-Ship Program.

COLOR OPTIONS FOR QUICK-SHIP PRODUCTS

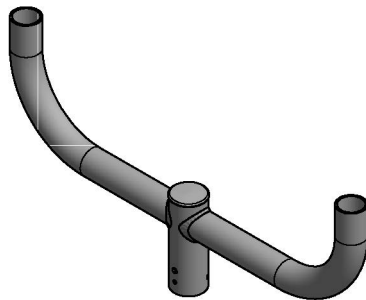
Design	Color
TWH	Textured White
DB	Dark Bronze
TMB	Textured Medium Bronze
TGR	Textured Gray
TBK	Textured Black



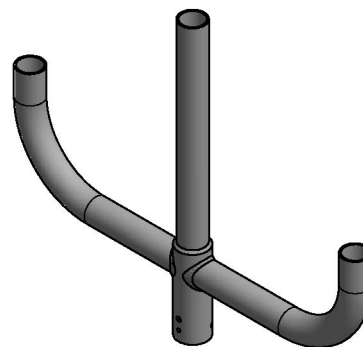
SB-19



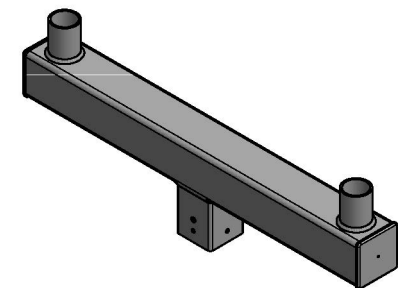
SB-218



PTB-2



PTB-3



SMB-2