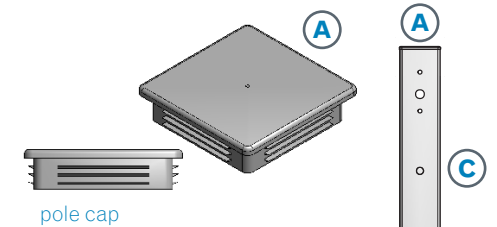


The following shows a break down of individual pieces of the small parts that are included with every pole.

Pole cap

Poles caps are used to cover top of pole on drilled mounts.



Grounding bolt and button plug

The poles must be hung in order to travel through the powder coat booth. We do this by drilling(3) holes in the pole. The holes at the top are plugged while the hole at the bottom of the pole is utilized as the Grounding Lug.



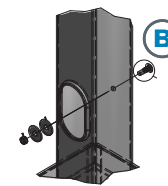
1/2" UNC
grounding nut



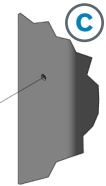
grounding washers



grounding screw



button plug



Hand Hole Cover

Hand hole cover with gasket and back bar. Hand hole covers are supplied with a water proofing gasket. Peel the backing and secure to the inside of the hand hole cover.



hand hole cover screw



hand hole cover



hand hole gusset

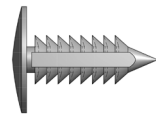


hand hole
locking bar



Steel Anchor Based Poles

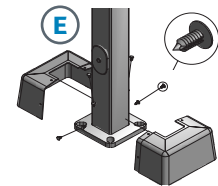
2-piece base cover with 4 push pins. The standard base cover is a 2 piece ABS plastic that is secured with 4 push pins



ABS Cover Screw



ABS Cover



Aluminum Poles

SAE washers and base plugs for anchor bolt poles.



nut covers



aluminum base casting



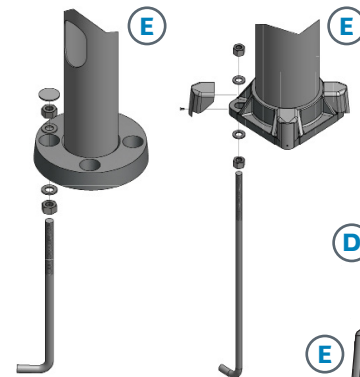
anchor bolt hex nut



anchor bolt washer



anchor bolt



7" and 8" Round Tapered Aluminum Poles

Shoe base and nut covers.



nut covers



aluminum shoe base

