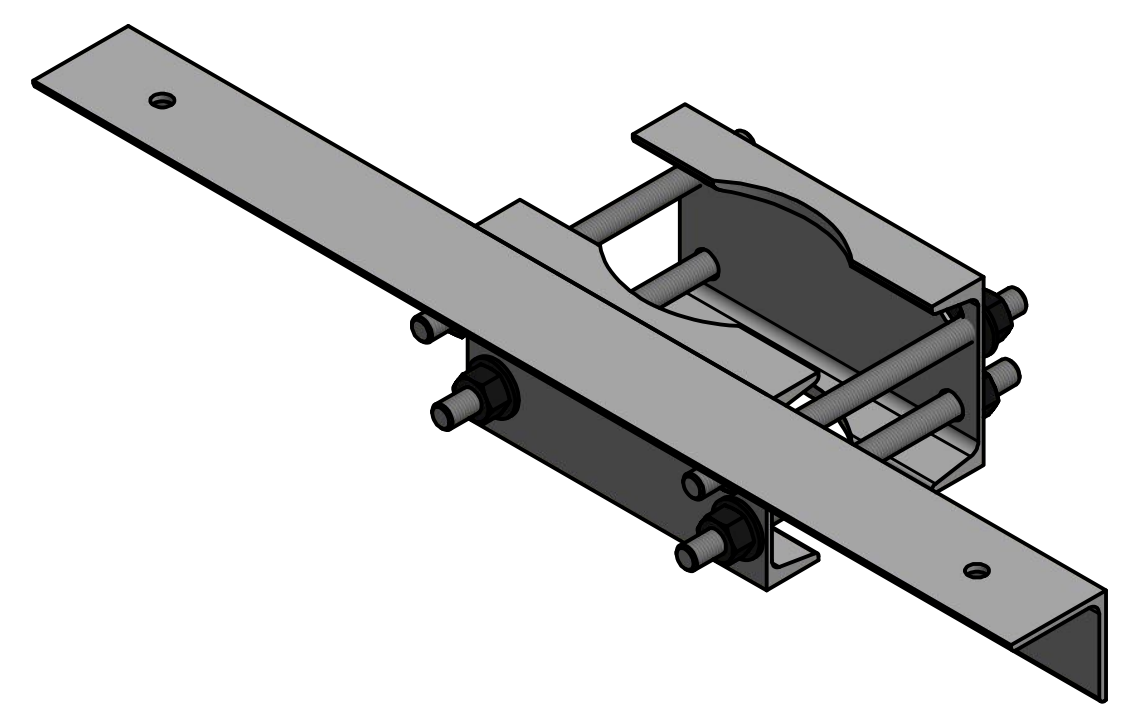
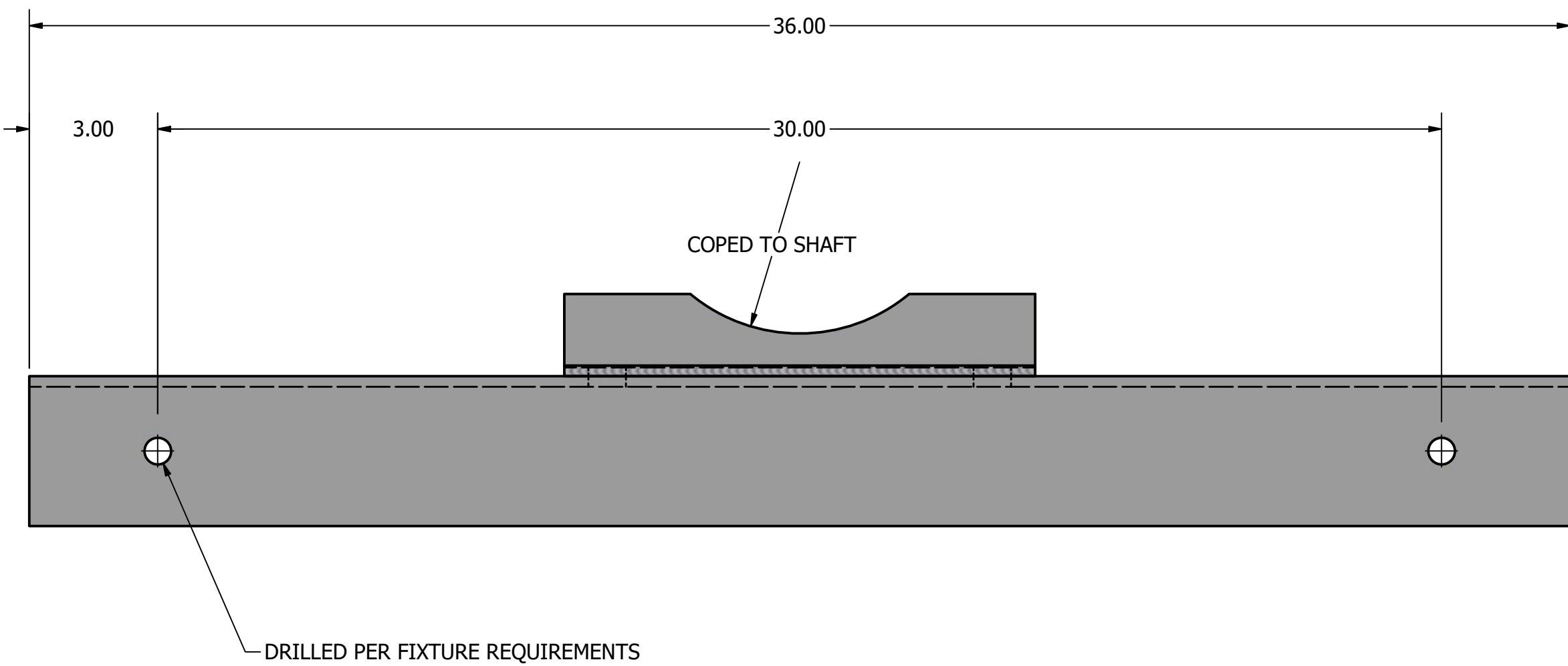
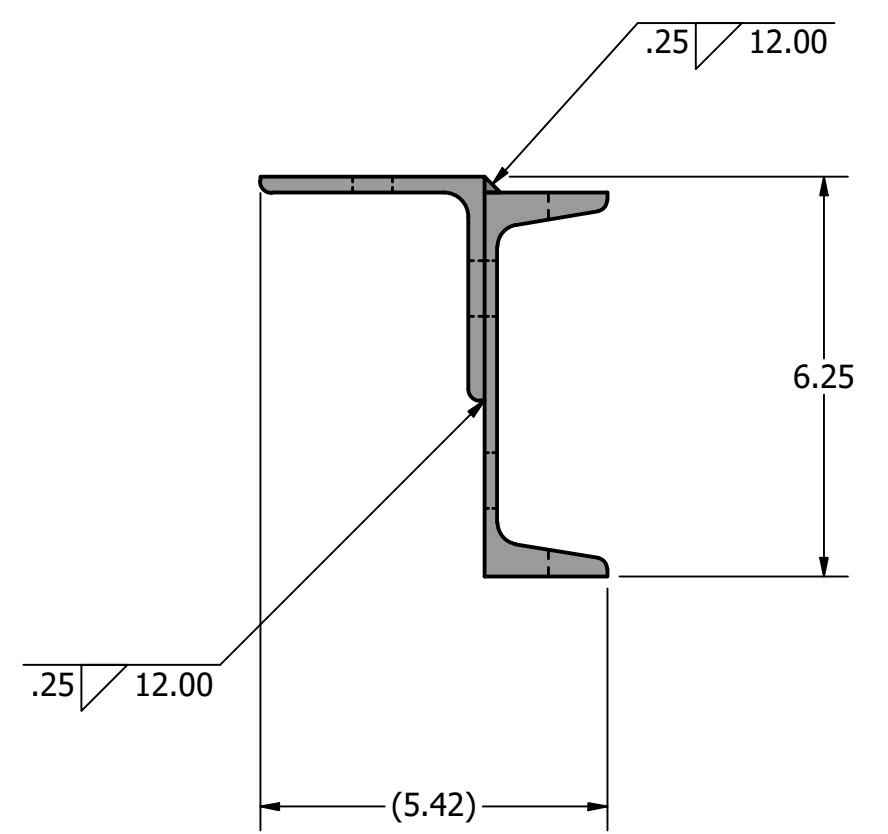
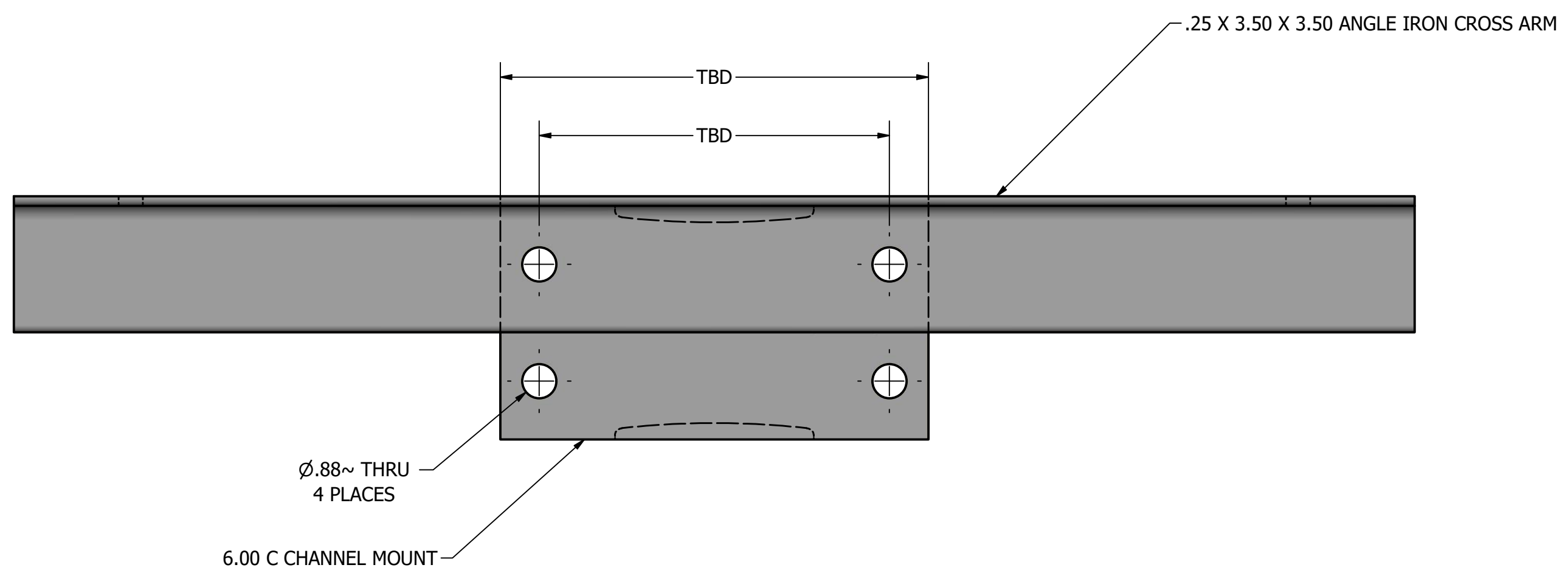


PXB BRACKET SPECIFICATIONS			
CATALOG #	# OF FIXTURES	EPA (SQ. FT.)	SHIPPING WT. (LBS)
PXB-2	2	1.05	26

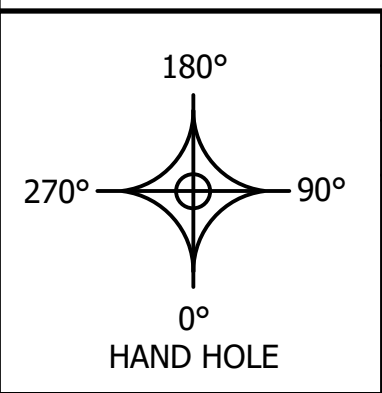


ISOMETRIC VIEW



**NOTE:** THE C CHANNEL DIMENSIONS AND COPING IS DETERMINED ACCORDING TO THE POLE DIAMETER AT WHICH THE BRACKET WILL BE MOUNTED.

**NOTE:** PXB CROSS ARM BRACKETS ARE CONSTRUCTED WITH STRUCTURAL ANGLE IRON & C CHANNEL CONFORMING TO ASTM A-36 HRS SPECIFICATIONS. PXB BRACKETS ARE DESIGNED FOR DIRECT SIDE MOUNTING TO METAL POLES. BRACKETS COME WITH MOUNTING HARDWARE AND ARE FINISHED TO MATCH THE POLE.



DRAWN: D. KONCHADA	DATE: 7/19/2021
REVISION:	DATE:
QUOTE:	PO.#
APPROVAL SIGNATURE:	

**UNITED LIGHTING STANDARDS**  
A DWM COMPANY

23171 Groesbeck Hwy.  
Warren, MI 48089  
P: (586) 774-5650 | F: (586) 774-5706  
www.unitedlightingstandards.com

SOME GEOGRAPHICAL AREAS HAVE SPECIAL WIND CONDITIONS THAT CAN CREATE WIND INDUCED VIBRATIONS CAUSING A FATIGUE PROBLEM. NO METHOD HAS YET BEEN FOUND FOR PREDICTING DESTRUCTIVE LIGHTING POLE VIBRATION. THESE CONDITIONS ARE UNIQUE AND CANNOT BE GUARANTEED AGAINST, AND ARE THE RESPONSIBILITY OF A LOCAL SITE ENGINEER.		
<b>WARNING:</b> DO NOT INSTALL LIGHT POLE WITHOUT INTENDED LOADING.		
TITLE:		
CATALOG:		
DWG NO: PXB-2	SIZE: C	SHEET 1 OF 1